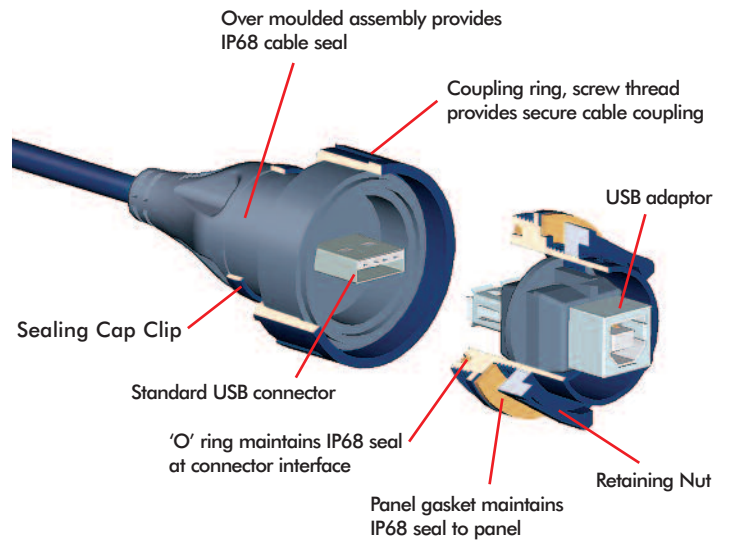


USB Buccaneer®



BUCCANEER

- IP68 rated
- USB version 2.0 performance
- Plug and play capability
- Visual mating indication
- Shielded system
- Single and double ended cables
- Screw coupling
- PCB versions
- ▶ Dust and waterproof sealing when mated
- ▶ Low and high speed bus connection, 1.5Mbps to 480Mbps
- ▶ Hot pluggable, standard 4 pole interface
- ▶ Alignment indicator reduces risk of damage during mating
- ▶ High noise immunity and EMI protection
- ▶ Suitable for PC and peripheral configuration
- ▶ Secure, proven locking system
- ▶ Direct mounting or via adaptor leads

USB Buccaneer®

BUCCANEER

SEALED USB CABLES - SINGLE ENDED



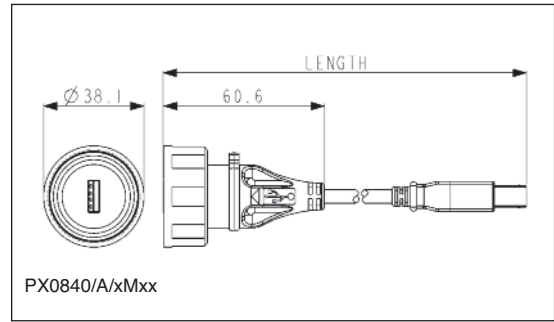
PX0840/A



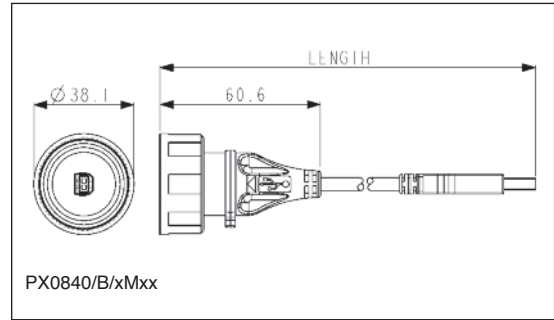
PX0840/B

Single ended sealed cable assembly

- IP68 'A' type USB connector to standard 'B' type USB connector, mates with all panel mount connectors
- IP68 'B' type USB connector to standard 'A' type USB connector, mates with all panel mount connectors
- Available in 2m, 3m and 5m lengths



PX0840/A/xMxx



PX0840/B/xMxx

| Part No. | Length | Description |
|---------------|--------|--|
| PX0840/A/2M00 | 2m | IP68 A type USB to standard B type USB |
| PX0840/A/3M00 | 3m | IP68 A type USB to standard B type USB |
| PX0840/A/5M00 | 5m | IP68 A type USB to standard B type USB |
| PX0840/B/2M00 | 2m | IP68 B type USB to standard A type USB |
| PX0840/B/3M00 | 3m | IP68 B type USB to standard A type USB |
| PX0840/B/5M00 | 5m | IP68 B type USB to standard A type USB |

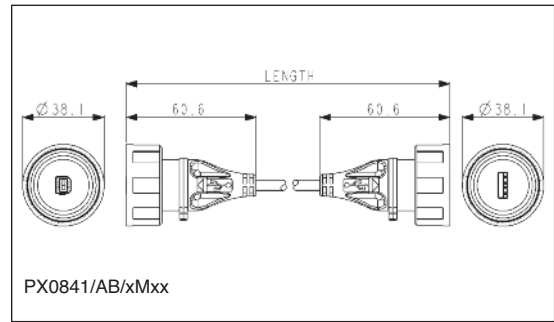
SEALED USB CABLES - DOUBLE ENDED



PX0841/AB

Double ended sealed cable assembly

- IP68 'A' type USB connector to IP68 'B' type USB connector
- Mates with all panel mount connectors
- Available in 2m, 3m and 5m lengths



PX0841/AB/xMxx

| Part No. | Length | Description |
|----------------|--------|------------------------------------|
| PX0841/AB/2M00 | 2m | IP68 A type USB to IP68 B type USB |
| PX0841/AB/3M00 | 3m | IP68 A type USB to IP68 B type USB |
| PX0841/AB/5M00 | 5m | IP68 A type USB to IP68 B type USB |

USB Buccaneer®

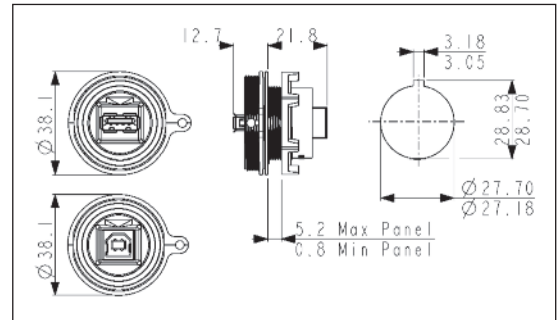
FRONT PANEL MOUNTING CONNECTOR



PX0842/A

PX0842/B

- PX0842/A - USB 'A' type IP68 connector
- PX0842/B - USB 'B' type IP68 connector
- Opposite connector to rear of panel
- Mates with PX0840 and PX0841 cable connectors



| Part No. | Description |
|----------|---|
| PX0842/A | IP68 A type USB, front panel mounted. Sealed A type at front of panel, standard B type at rear. |
| PX0842/B | IP68 B type USB, front panel mounted. Sealed B type at front of panel, standard A type at rear. |

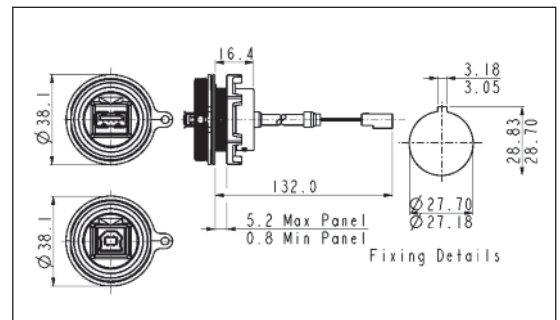
FRONT PANEL MOUNTING CONNECTOR



PX0843/A

PX0843/B

- PX0843/A - USB 'A' type IP68 connector
- PX0843/B - USB 'B' type IP68 connector
- Leaded with 5 way crimp connector
- Mates with PX0840 and PX0841 cable connectors



| Part No. | Description |
|----------|---|
| PX0843/A | IP68 A type USB, front panel mounted. Sealed A type at front of panel, 5 way crimp connector at rear. |
| PX0843/B | IP68 B type USB, front panel mounted. Sealed B type at front of panel, 5 way crimp connector at rear. |

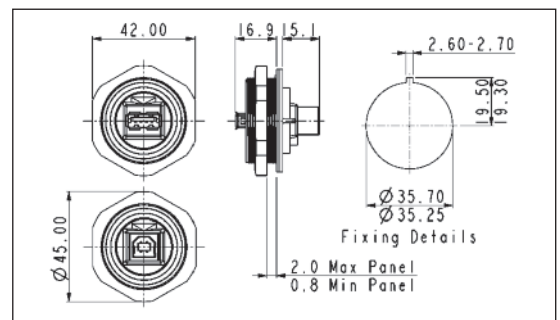
REAR PANEL MOUNTING CONNECTOR



PX0848/A

PX0848/B

- PX0848/A - USB 'A' type IP68 connector
- PX0848/B - USB 'B' type IP68 connector
- Opposite connector to rear of panel
- Mates with PX0840 and PX0841 cable connectors



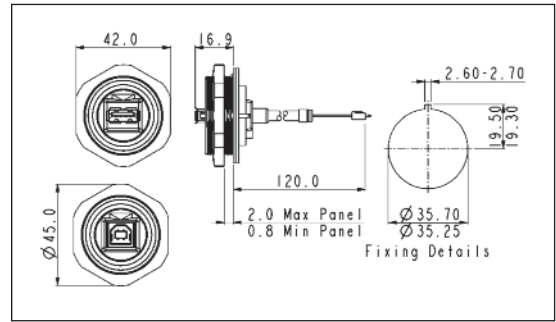
| Part No. | Description |
|----------|--|
| PX0848/A | IP68 A type USB, rear panel mounted. Sealed A type at front of panel, standard B type at rear. |
| PX0848/B | IP68 B type USB, rear panel mounted. Sealed B type at front of panel, standard A type at rear. |

USB Buccaneer®

REAR PANEL MOUNTING CONNECTOR



- PX0849/A - USB 'A' type IP68 connector
- PX0849/B - USB 'B' type IP68 connector
- Leaded with 5 way header
- Mates with PX0840 and PX0841 cable connectors

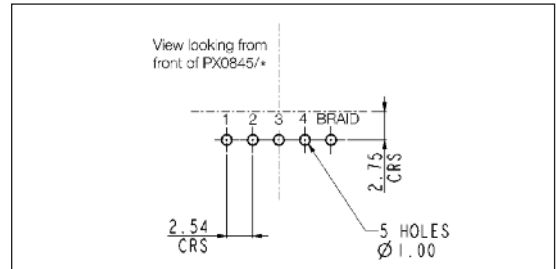
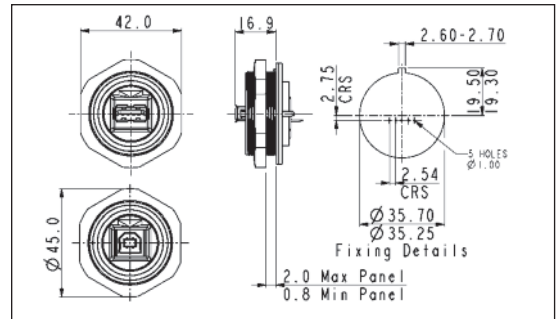


| Part No. | Description |
|----------|---|
| PX0849/A | IP68 A type USB, rear panel mounted. Sealed A type at front of panel, 5 way header at rear. |
| PX0849/B | IP68 B type USB, rear panel mounted. Sealed B type at front of panel, 5 way header at rear. |

REAR PANEL MOUNTING CONNECTOR - PCB DIRECT MOUNT



- PX0845/A - USB 'A' type IP68 connector
- PX0845/B - USB 'B' type IP68 connector
- PCB contacts at rear
- Direct PCB mount
- Mates with PX0840 and PX0841 cable connectors

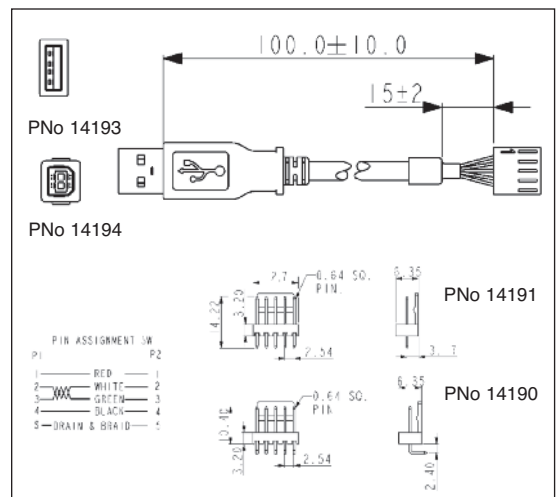


| Part No. | Description |
|----------|--|
| PX0845/A | IP68 A type USB, rear panel mounted. Sealed A type at front of panel, direct mount PCB contacts at rear. |
| PX0845/B | IP68 B type USB, rear panel mounted. Sealed B type at front of panel, direct mount PCB contacts at rear. |

PCB ADAPTOR LEADS



- Standard A and B type USB connectors to 5 way crimp adaptor leads
- 5 way headers, 2.54mm pitch, horizontal or vertical mounting



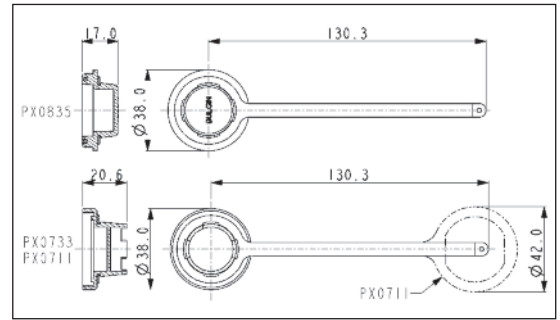
| Part No. | Description |
|----------|---------------------------------------|
| 14193 | USB 'A' type to 5 way crimp connector |
| 14194 | USB 'B' type to 5 way crimp connector |
| 14191 | 5 way PCB header straight |
| 14192 | 5 way PCB header right angle |

USB Buccaneer®

ACCESSORIES



- Sealing caps to maintain IP68 rating when connectors are not in use
- PX0835 for cable connectors PX0840 and PX0841
- PX0733 for front panel mount connectors PX0842 and PX0843
- PX0711 for rear panel mount connectors PX0848, PX0849 and PX0845

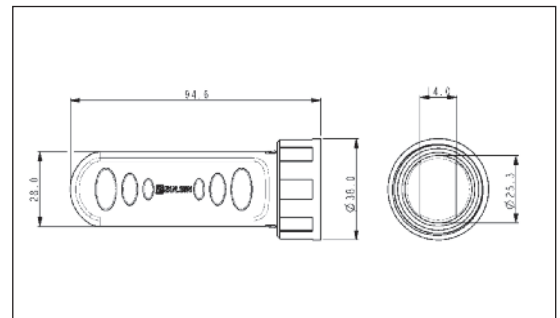


| Part No. | Description |
|----------|--|
| PX0835 | Sealing Cap for cable connectors (PX0840, PX0841) |
| PX0733 | Sealing Cap for front panel mounting connector (PX0842, PX0843) |
| PX0711 | Sealing Cap for rear panel mounting connector (PX0848, PX0849, PX0845) |

USB FLASH DRIVE COVER



- For use with USB Flash Drives
- Maintains IP68 rating when mated
- For use with 'A' type connectors: PX0842, PX0843, PX0845, PX0848 & PX0849
- Internal accommodation 17.5 x 14.0 x 83mm approx.



SPECIFICATION

Cables & connectors

Electrical

| | |
|--------------------|-----------------|
| No. of conductors | 4 |
| Current rating | 1A |
| Voltage rating | 30Vac (RMS) |
| Contact resistance | 30mΩ max. |
| Performance | USB version 2.0 |

Materials - connectors

| | |
|-----------------------|--------------------|
| Shell material | Steel |
| Shell plating | Nickel |
| Insulation moulding | Nylon 6 |
| Flammability | UL94V-0 |
| Contact material | Copper Alloy |
| Contact plating | 30 micro inch Gold |
| Over mould material | PVC (black) |
| Operating temperature | 0°C to +70°C |
| Mating cycles | 1,000 |
| RoHS | Compliant |

Materials - cable

| | |
|--------------|---------------------|
| Cable Jacket | PVC (black) |
| Screen | Tinned copper braid |
| Flammability | UL94V-0 |
| RoHS | Compliant |

| Length: | Dia | Conductors | |
|---------|-------|------------|-----------|
| | | Signal | Power |
| 2m | 4.8mm | 2 x 28AWG | 2 x 24AWG |
| 3m | 5.0mm | 2 x 28AWG | 2 x 22AWG |
| 5m | 5.2mm | 2 x 25AWG | 2 x 20AWG |

PCB adaptor leads

Electrical

| | |
|--------------------|-------------|
| No. of conductors | 4 |
| Current rating | 1A |
| Voltage rating | 30Vac (RMS) |
| Contact resistance | < 10mΩ max. |
| PCB pitch | 2.54mm |

Materials

| | |
|-----------------------|--------------------|
| Moulding | Polycarbonate |
| Flammability | UL94V-0 |
| Contact material | Copper Alloy |
| Contact plating | 30 micro inch Gold |
| Wire insulation | PVC (black) |
| Flammability | UL94-V0 |
| Conductors | 4 x 28AWG |
| Operating temperature | 0°C to +70°C |
| Mating cycles | 1,000 |
| RoHS | Compliant |

Cable construction

